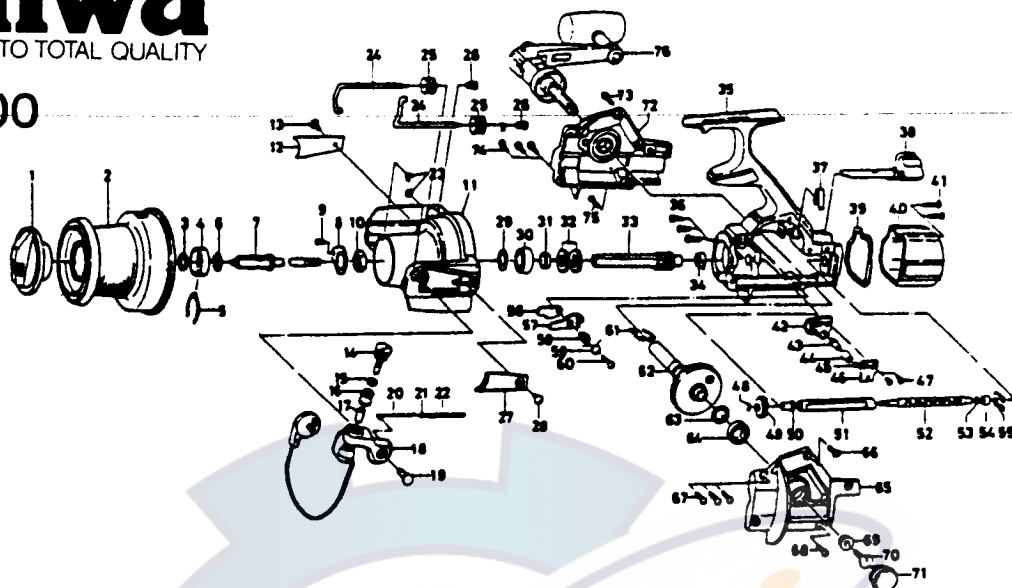


GS3000



Key No.	Parts No.	Parts Name	No.	Parts No.	Parts Name
1.	E33-9001	Drag knob	42.	E26-3102	Oscillating slider
2.	E37-5101	Spool assembly	43.	E26-4101	Oscillating pawl
3.	E14-6503	Spool washer	44.	E26-4201	Oscillating pawl bush
4.	E12-2301	Click leaf spring holder	45.	375-0800	Oscillating pawl washer
5.	B74-7701	Spool click leaf spring	46.	E26-4301	Oscillating slider cover
6.	371-2800	Main shaft washer	47.	352-1502	Oscillating slider cover screw
7.	E34-2901	Main shaft assembly	48.	320-5901	Worm shaft gear retainr
8.	E33-3801	Rotor nut holding plate	49.	E26-3401	Worm shaft gear
9.	351-1003	Rotor nut holding plate screw	50.	E18-6801	Worm shaft bush
10.	B43-7603	Rotor nut	51.	E33-5801	Worm shield cover
11.	E35-4302	Rotor assembly	52.	E33-5901	Worm shaft
12.	E33-3501	Bail trip cover	53.	B41-1700	Worm shaft washer
13.	351-6104	Bail trip cover screw	54.	E26-3501	Worm shaft collar
14.	B21-1305	Line roller screw	55.	E26-3601	Worm shaft retainer
15.	375-4301	Lock washer	56.	E26-1901	Anti-reverse pawl plate
16.	E33-3601	Line roller	57.	E26-2001	Anti-reverse pawl
17.	B44-3401	Line roller bushing	58.	E26-2101	Anti-reverse pawl collar
18.	E33-3101	Bail	59.	E26-2201	Anti-reverse pawl spring A
19.	E33-3401	Bail arm screw	60.	B83-5002	Anti-reverse pawl screw
20.	E32-6701	Bail spring shaft	61.	E26-4501	Anti-reverse pawl spring B
21.	E31-3901	Bail spring washer	62.	F00-6001	Drive gear
22.	E26-5601	Bail spring	63.	B27-0700	Drive gear washer
23.	320-5901	Bail arm screw retainer	64.	637-6101	Ball bearing
24.	E35-5601	Line guard roller shaft	65.	E34-2801	Left side cover
25.	E32-6801	Line guard roller	66.	B00-9702	Side cover screw A
26.	E26-6901	Roller shaft nut	67.	B00-9701	Side cover screw B
27.	E33-3501	Bail spring cover	68.	E15-8601	Side cover screw C
28.	351-6104	Bail spring cover screw	69.	501-8401	Handle collar
29.	B27-0704	Bearing washer	70.	363-8611	Handle screw
30.	637-6101	Ball bearing	71.	E33-4802	Handle screw cap
31.	E26-2801	Spacing sleeve	72.	E34-2701	Right side cover
32.	E26-2701	Anti-reverse ratchet	73.	B00-9702	Side cover screw A
33.	E33-2201	Pinion gear	74.	B00-9701	Side cover screw B
34.	E33-2101	Pinion holder	75.	E15-8601	Side cover screw C
35.	E34-2601	Body	76.	E34-3101	Handle assembly
36.	E03-7801	Bearing retainer screw			
37.	E32-7801	Anti-reverse cam spring			
38.	E26-2301	Anti-reverse lever			
39.	E26-4801	Water shield			
40.	E34-3001	Rear cover			
41.	E24-8102	Rear cover screw			